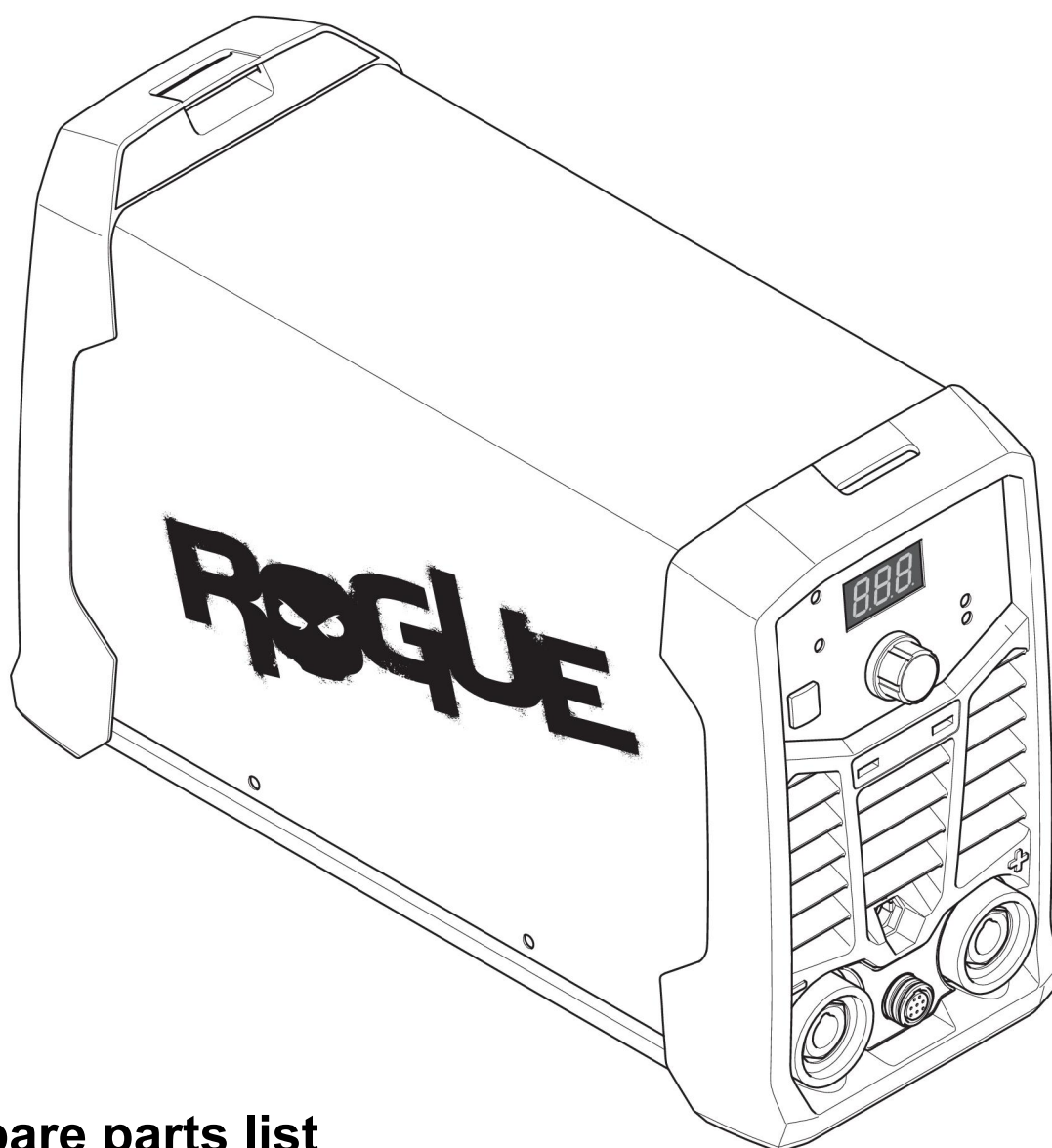




Rogue

ES 150i, ES 180i, ES 180i Pro, ES 200i Pro



Spare parts list

Ordering number	Denomination	Type	Notes
0700 500 078	Power source	ES 180i Pro	Europe
0700 500 079	Power source	ES 200i Pro	Europe
0700 500 082	Power source	ES 200i Pro	Middle East
0700 500 074	Power source	ES 200i Pro	India
0700 500 087	Power source	ES 200i Pro	South East Asia

Spare parts may be ordered through your nearest ESAB dealer, see esab.com. When ordering, please state product type, serial number, denominations and ordering numbers according to the spare parts list. This facilitates dispatch and ensures correct delivery.

Maintenance and repair work should be performed by an experienced person, and electrical work only by a trained electrician. Use only recommended spare parts.

SPARE PARTS **4**

SPARE PARTS

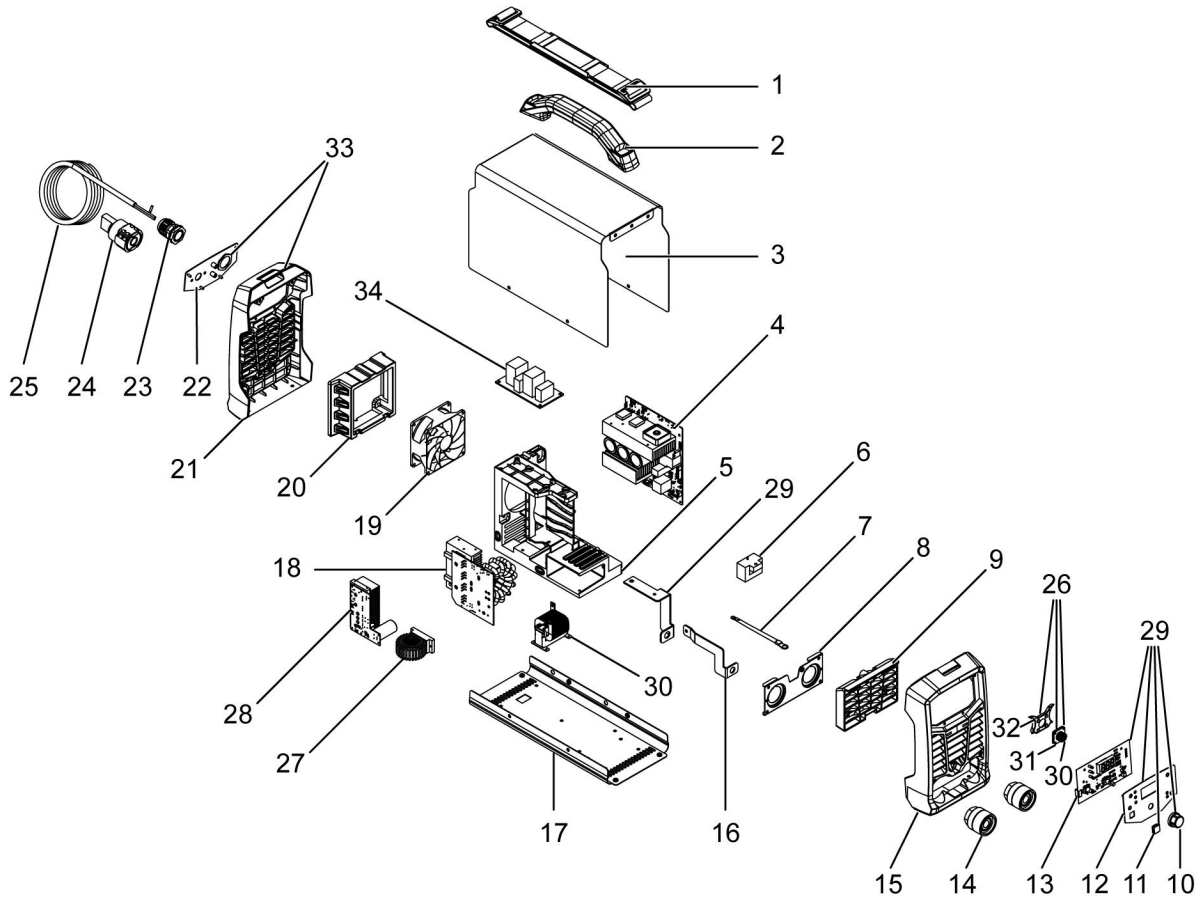
Item	Qty	Ordering no.	Denomination	Notes	Model and Region
1	1	0464 670 003	Belt		
2	1	0464 670 007	Handle		
3	1	0464 670 017	Case	Including electrodes selection chart and side panel labels	
4	1	0464 673 003	IGBT inverter board and main PCB		ES 180i Pro, ES 200i Pro, Europe, Middle East, India, South East Asia
	1	0464 673 006	IGBT inverter board and main PCB		ES 150i, ES 180i, Europe
5	1	0464 670 008	Movement bracket		
6	1	0464 670 006	Hall sensor with harness		
7	1	0464 674 001	Connect cable		
8	1	0464 670 009	Output retaining plate		ES 150i, ES 180i, Europe
	1	0464 670 010	Output retaining plate		ES 180i Pro, ES 200i Pro, Europe, Middle East, India, South East Asia
9	1	0464 670 011	Louver		
10	1	0464 672 004	Potentiometer knob	Included with item 29	
11	1		Key rubber sleeve	Included with item 29	
12	1		Fixed plate on front board	Included with item 29	
13	1		Digital display board	Included with item 29	
14	2	0464 671 004	Quick connector	OKC	
15	1	0464 674 004	Front plastic panel	Including ESAB logo label	
16	1	0464 674 005	Rail sec inductor	OKC	
17	1	0464 670 013	Base plate	Including rating label	ES 150i, Europe
	1	0464 670 014	Base plate	Including rating label	ES 180i, Europe
	1	0464 670 015	Base plate	Including rating label	ES 180i Pro, Europe
	1	0464 670 016	Base plate	Including rating label	ES 200i Pro, Europe, Middle East, India, South East Asia

SPARE PARTS

Item	Qty	Ordering no.	Denomination	Notes	Model and Region
18	1	0464 673 009	Rectifier plate		ES 180i Pro, ES 200i Pro, Europe, Middle East, India, South East Asia
	1	0464 673 010	Rectifier plate		ES 150i, ES 180i, Europe
19	1	0464 674 003	Fan		
20	1	0464 670 012	Wind deflector		
21	1		Plastic back panel	Included with item 33	
22	1		Back panel mounting plate	Included with item 33	
23	1	0464 674 002	Cable gland		
24	1	0464 674 013	Mains switch 0-1		
25	1	0464 674 009	Power input wire harness		ES 200i Pro, Middle East, India
	1	0464 674 011	Power input wire harness		ES 150i, 180i, 180i Pro, 200i Pro, Europe, South East Asia
27	1	0464 674 008	PFC electrical inductance		ES 180i Pro, ES 200i Pro, Europe, Middle East, India, South East Asia
28	1	0464 673 004	PFC board		ES 180i Pro, ES 200i Pro, Europe, Middle East, India, South East Asia
30	1		8 pin socket	Included with item 26	
31	1		8 pin socket washer	Included with item 26	
32	1		8 pin socket installation plate	Included with item 26	
34	1	0464 673 007	EMC filter board		ES 180i Pro, ES 200i Pro, Europe, India, South East Asia
	1	0464 673 001	EMC filter board		ES 200i Pro, Middle East and Africa
	1	0464 673 002	EMC filter board		ES 150i, ES 180i, Europe, South East Asia

SPARE PARTS

Item	Qty	Ordering no.	Denomination	Notes	Model and Region
26	1	0464 671 881	Sleeve socket 8 pin with harness set	Including item 30, 31, 32, and also harness, remote control symbol label, 4 pcs of M3x12 screws, 4 pcs of M3 hexagon nut	ES 180i Pro, ES 200i Pro, Europe, Middle East, India, South East Asia
29	1	0464 672 885	Digital display board set	Including item 10, 11, 12, 13, and also control panel label, 4 sets of M3x8 screw assembly, 4 pcs of red steel washer	ES 180i Pro, Europe
	1	0464 672 886	Digital display board set	Including item 10, 11, 12, 13, and also control panel label, 4 sets of M3x8 screw assembly, 4 pcs of red steel washer	ES 200i Pro, Europe, South East Asia
	1	0464 672 887	Digital display board set	Including item 10, 11, 12, 13, and also control panel label, 4 sets of M3x8 screw assembly, 4 pcs of red steel washer	ES 200i Pro, Middle East, India
	1	0464 672 888	Digital display board set	Including item 10, 11, 12, 13, and also control panel label, 4 sets of M3x8 screw assembly, 4 pcs of red steel washer	ES 150i, Europe
	1	0464 672 889	Digital display board set	Including item 10, 11, 12, 13, and also control panel label, 4 sets of M3x8 screw assembly, 4 pcs of red steel washer	ES 180i, Europe
33	1	0464 672 883	Back plastic panel	Including item 21, 22, and also input voltage label, 4 pcs of hexagon nut	ES 180i Pro, ES 200i Pro, Europe, Middle East, India, South East Asia
	1	0464 672 884	Back plastic panel	Including item 21, 22, and also input voltage label, 4 pcs of hexagon nut	ES 150i, ES 180i, Europe





A WORLD OF PRODUCTS AND SOLUTIONS.



For contact information visit esab.com

ESAB AB, Lindholmsallén 9, Box 8004, 402 77 Gothenburg, Sweden, Phone +46 (0) 31 50 90 00

<http://manuals.esab.com>

